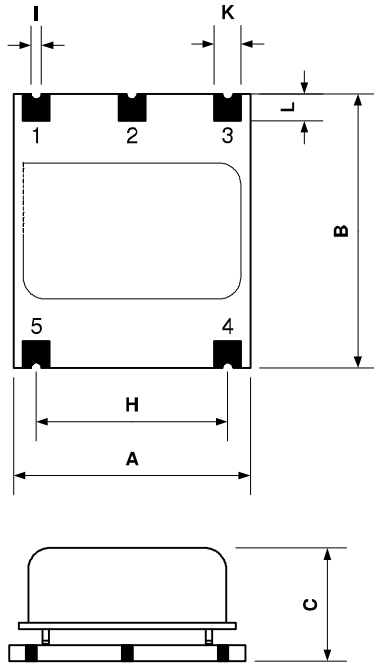


Package dimension: SMD version (option D1):



Dimensions (max.):

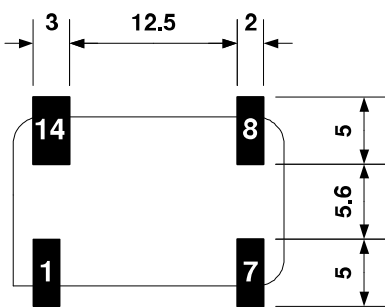
	In.	mm
A	0.87	22.0
B	1.00	25.4
C	0.41	10.5
H	0.70	17.8
I	∅ 0.04	∅ 1.0
K	0.10	2.5
L	0.10	2.5

Pin Out:

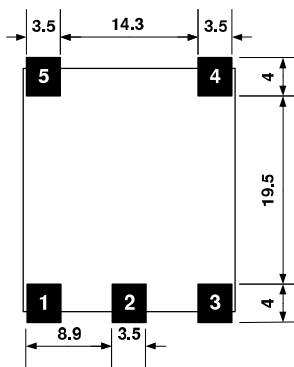
1	Frequency adjustment
2	NC
3	Vcc
4	Output
5	GND

Recommended solder pad layout & soldering conditions:

Solder pad layout: Option D2

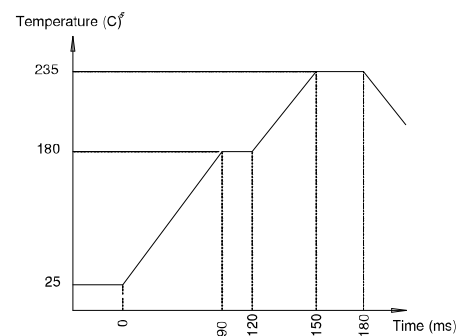


Solder pad layout: Option D1



Reflow soldering conditions

Reflow rate: 3°C/sec. max



Wave soldering: Temp. peak up to 260°C allowed for 5s (on pins)

Date : October 2009 Revision No. : 3.6

Page 2 / 2

In accordance with our policy of continuous development and improvement, we reserve the right to modify the design or the specifications of our products without prior notice.

Headquarters: Micro Crystal AG
Mühlestrasse 14
CH-2540 Grenchen
Switzerland

Tel. +41 32 655 82 82
Fax +41 32 655 80 90
Internet www.microcrystal.ch
Email sales@microcrystal.ch