

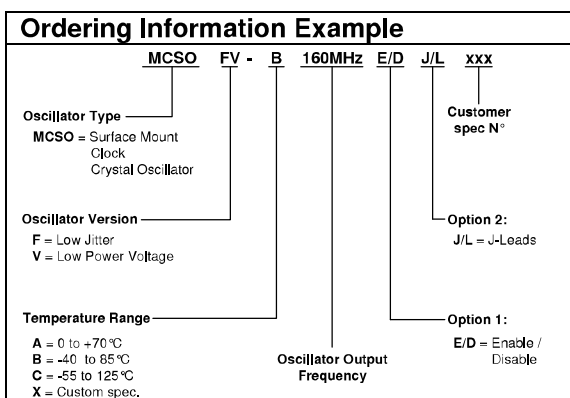
FREQUENCY STABILITY	
OVER:	
OPERATING TEMP. RANGE:	See note 1
OVERALL STABILITY:	$< \pm 100\text{ppm}^*$
INCLUDING:	
•	OVER OPERATING TEMPERATURE RANGE
•	ADJUSTMENT @ 25°C
•	LONG TERM AGING (10 YEARS)
•	STABILITY OVER SUPPLY VOLTAGE $\pm 5\%$
•	STABILITY OVER LOAD (MIN. TO MAX.)
POWER SUPPLY	
SUPPLY VOLTAGE:	$V_{dd} = 3.3V \pm 5\%^*$
INPUT CURRENT:	$< 30\text{mA}^*$
OUTPUT	
OUTPUT SIGNAL:	AC-MOS compatible *
SYMMETRY:	40 / 60% (min.) @ $V_{dd} / 2^*$
RISE & FALL TIME:	$t_r < 3\text{ns}$ $t_f < 3\text{ns}^*$
LEVEL "0" & "1":	$< 0.4V$ $> V_{dd} - 0.5V$
START-UP TIME:	$< 5\text{ms}$
FAN OUT (LOAD):	10 TTL / LS *
JITTER:	$< 1\text{ps}$
ENVIRONMENT	
OPERABLE TEMP. RANGE:	-55 to +125°C
STORAGE TEMP. RANGE:	-65 to +125°C
VIBRATIONS:	10 to 2000Hz / 10g
SHOCKS:	5000g, 0.3ms, 1/2 sine
PACKAGE:	Ceramic
PACKAGE DIMENSIONS:	14.1 x 9.3 x 2.4mm (see packaging info)
PROCESSING:	Reflow soldering 260°C / 10s max. (see packaging info)
MISCELLANEOUS	
* Customer's specification on request	

Note 1: Operating Temperature Range	
MCSOFV-A:	0 to +70 °C
MCSOFV-B:	-40 to +85 °C
MCSOFV-C:	-55 to +125 °C

Option 1: Enable / Disable (on request)	
See application circuit on page 2 for details	
Pin 1:	Pin 3 (Fout)::
Open	Clock
H	Clock
L	High Z

Option 2: J / Leads (on request)
With tinned J / Leads pins Height: 3.8mm included J / Leads

Marking Example			
Micro Crystal		Micro Crystal	
MCSOFV-B	E/D	Type	Option 1
160,000 MHz	09,40	Frequency	Date Code
○		○ (PIN 1)	



STANDARD FREQUENCIES [MHz]

Date :	June 2003	Revision No. :	4	Revision Date :	10-09
Page 1 / 2					

In accordance with our policy of continuous development and improvement, we reserve the right to modify the design or the specifications of our products without prior notice.

Headquarters:	Micro Crystal AG	Tel.	+41 32 655 82 82
	Mühlestrasse 14	Fax	+41 32 655 80 90
	CH-2540 Grenchen	Internet	www.microcrystal.ch
	Switzerland	Email	sales@microcrystal.ch