

FREQUENCY STABILITY	
SHORT TERM STABILITY OVER TEMPERATURE RANGE	
-40 to 55°C*: (after 15mn switch on and with a slope of 5°C/h)	$\leq \pm 3E-9 / 50s^*$
LONG TERM AGING 5 YEARS INCLUDING CALIBRATION:	
	$< \pm 4.5 ppm$
SUPPLY VOLTAGE $\pm 0.2V$:	$< \pm 0.1 ppm$
POWER SUPPLY	
SUPPLY INPUT:	$V_{CC} = 5 V \pm 0.2 V^*$
INPUT CURRENT :	$< 10 mA @ 55^\circ C^*$
INPUT CURRENT :	$< 35 mA @ 25^\circ C^*$
INPUT CURRENT :	$< 70 mA @ -20^\circ C^*$
FREQUENCY CONTROL RANGE	
CONTROL VOLTAGE:	<i>Not applicable, pin 1 must be connected to ground (see note 2)</i>
INTERNAL CALIBRATION	$< \pm 1 ppm^*$
OUTPUT	
OUTPUT SIGNAL:	<i>Clipped sine wave</i>
LEVEL:	$> 1V_{pp}$
LOAD:	$1k\Omega // 10pF \pm 10\%$
ENVIRONMENT	
OPERABLE TEMP. RANGE:	$-40 to 85^\circ C$
STORAGE TEMP. RANGE:	$-65 to 125^\circ C$
VIBRATION:	$10 to 2000 Hz / 10 g$
SHOCK:	$500 g, 5 ms, \frac{1}{2} sine$
PACKAGE:	<i>DIL 14, 4 pins, GND to case</i>
PACKAGE HEIGHT:	$8 mm$ <i>(packaging info)</i>
WARM-UP	
$\Delta F/F$:	<i>See Frequency stability</i>
CURRENT:	$< 330mA$ during 10s (@ $-40^\circ C$)
MISCELLANEOUS	
SIGMA-TAU:	$< 5 E-10$ 0.1 s to 30 s <i>Typical $5 E-11 @ 1 s$</i>
PHASE NOISE (BW = 1Hz): <i>(typical, @ 10MHz in static conditions)</i>	10 Hz : - 90 dBc / Hz 100 Hz : - 120 dBc / Hz 1 kHz : - 130 dBc / Hz 10 kHz : - 130 dBc / Hz
* Customer's specification on request	

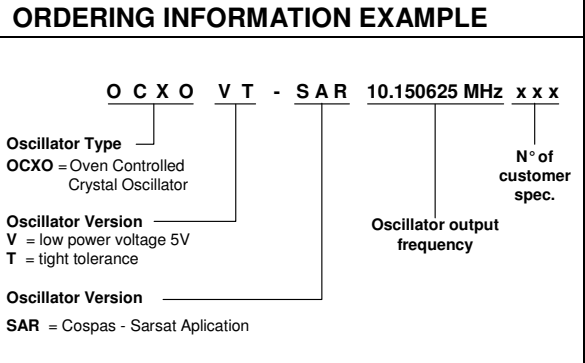
Note 2

On request:

Possibility of frequency adjustment with control voltage.

MARKING EXAMPLE

Micro Crystal		Micro Crystal	
OCXOVT-SAR		Type	Spec No.
10.150625 MHz	09.25	Frequency	Date Code
○	12	○ (PIN 1)	Piece No.



STANDARD FREQUENCIES (MHz)			
10.150625	10.150700	12.688281	12.688375

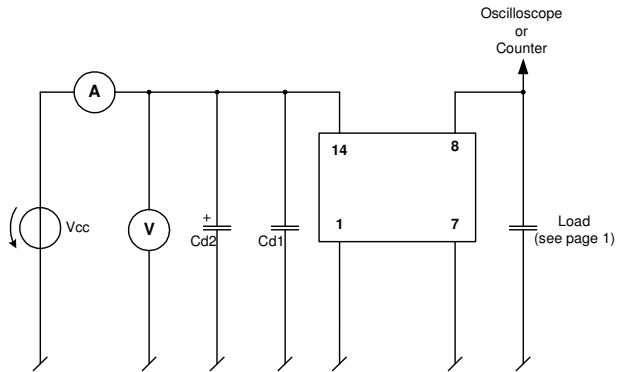
DATE:	September 2010	Revision No.: 4
		Page 1/2

In accordance with our policy of continuous development and improvement, we reserve the right to modify the design or the specifications of our products without prior notice.

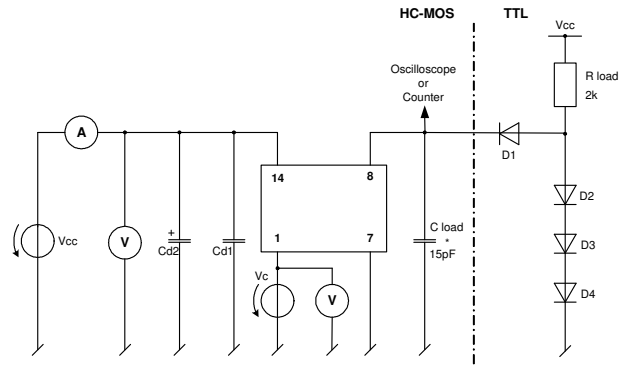
Headquarters:	Micro Crystal AG Mühlestrasse 14 CH-2540 Grenchen Switzerland	Tel.	+41 32 655 82 82
		Fax	+41 32 655 80 90
		Internet	www.microcrystal.ch
		Email	sales@microcrystal.ch

Application and Test Circuit:

No Frequency Adjustment



Adjustment with voltage



In accordance with our policy of continuous development and improvement, we reserve the right to modify the design or the specifications of our products without prior notice.