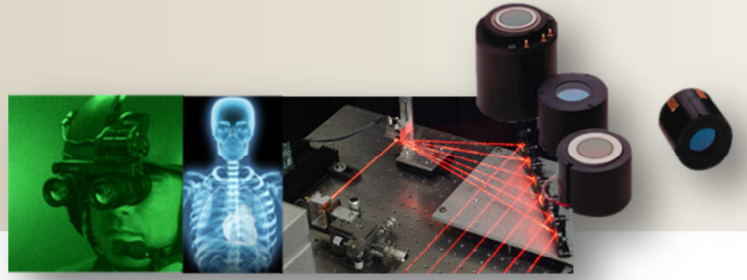




# Voltage Multipliers

## VM7 7000 Vdc

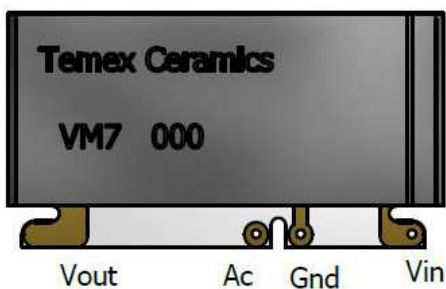
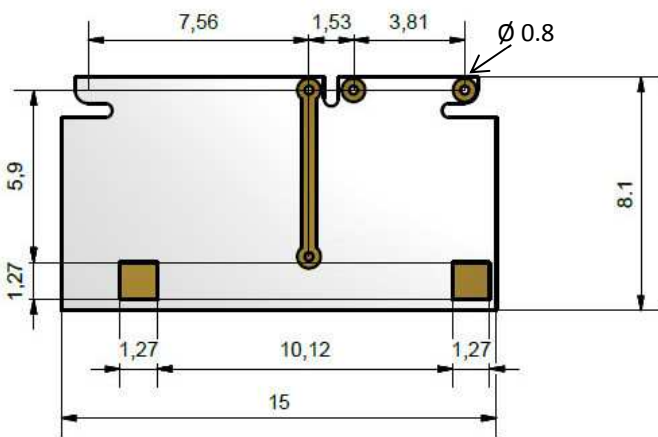


### Miniaturized Half Wave Voltage Multiplier

- Ultra small size
- Highly Efficient
- ITAR free
- Uniform stress on diodes

Plating: Electroless Nickel / Immersion Gold (ENIG)

Tolerance:  $\pm 0.25\text{mm}$   
Unit: Millimeters

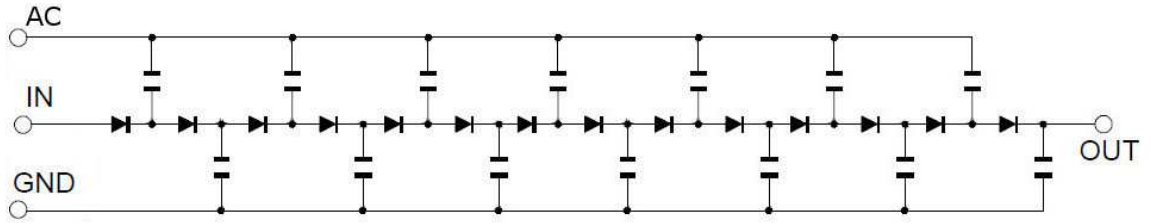


Minimum 0.8mm free on the metallic pads

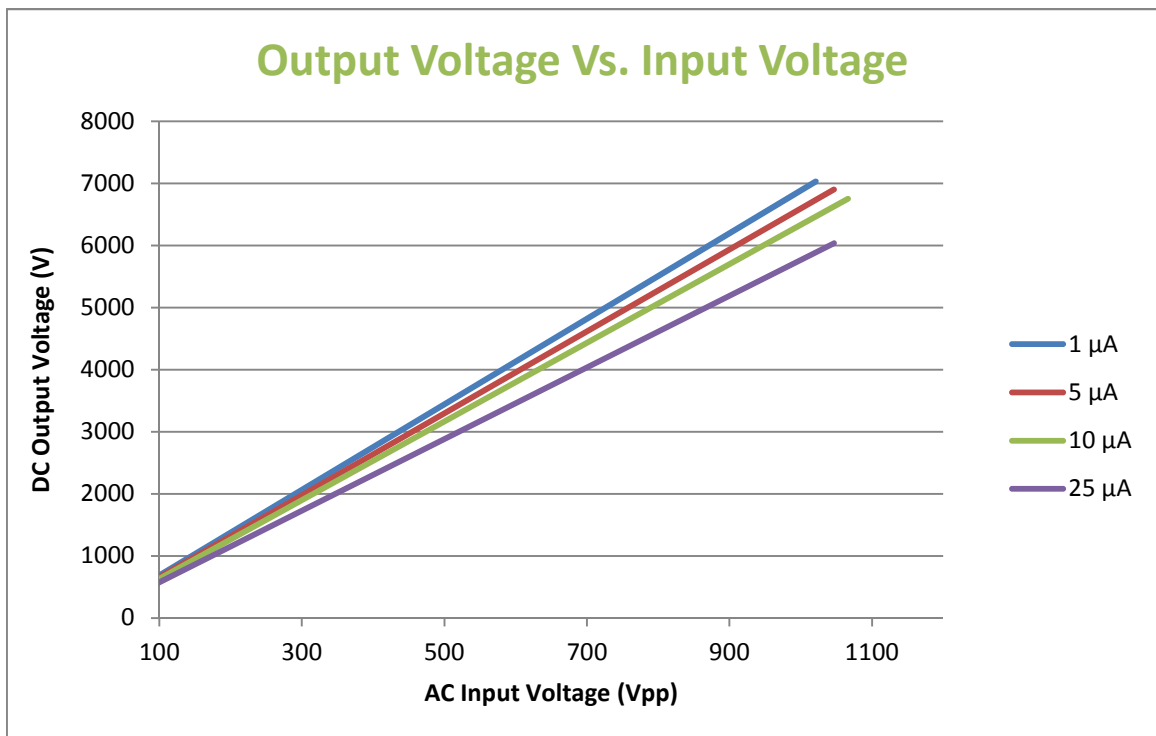
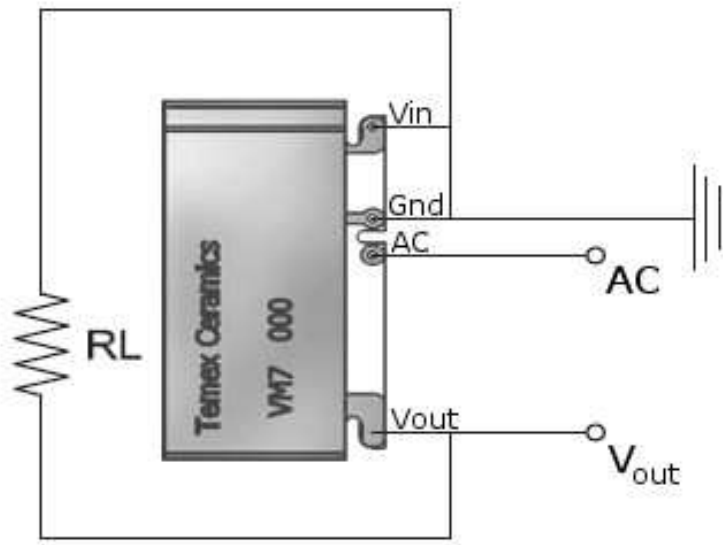
Part Number	702 VM7
Maximum A.C. Input Voltage	1000 Vpp
Maximum D.C. Output Voltage	7000 Vdc
Typical Output Current Range	0 to 25 $\mu\text{A}$
Typical Frequency	10 to 100 KHz
Number of Stages	14
Operating and storage Temperatures	-55°C to +125°C
Pin finish	ENIG Gold
Peak wave solder temperature	260°C 2mn
Peak reflow temperature	260°C
Floor Life	MSL/JDEC 2

The component must be coated on the board to prevent electrical arcs

- **Electrical equivalent circuit**



- **Typical multiplier circuit**



TEMEX CERAMICS reserves the right to modify herein specifications and information at any time when necessary to provide optimum performance and cost.