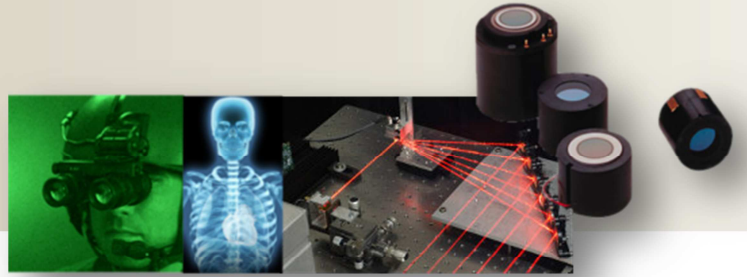




Voltage Multipliers

VM3 -1500 Vdc



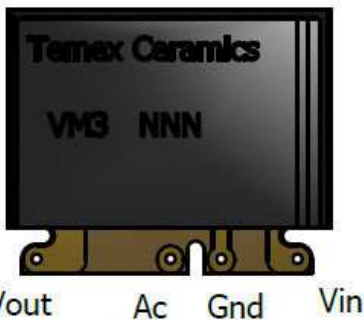
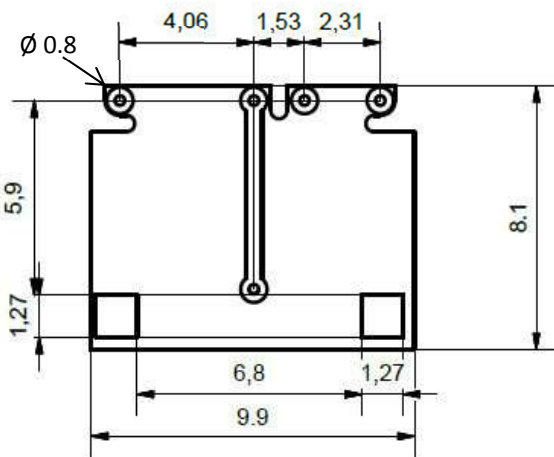
Miniaturized Half Wave Voltage Multiplier

- Ultra small size
- Highly Efficient
- ITAR free
- Uniform stress on diodes

Plating: Electroless Nickel / Immersion Gold (ENIG)

Tolerance: $\pm 0.25\text{mm}$

Unit: Millimeters

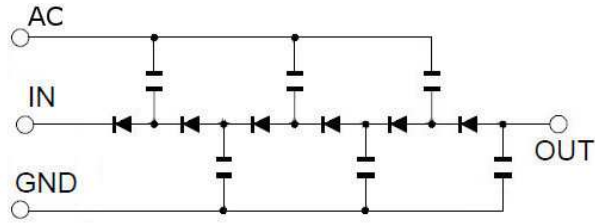


Minimum 0.8mm free on the metallic pads

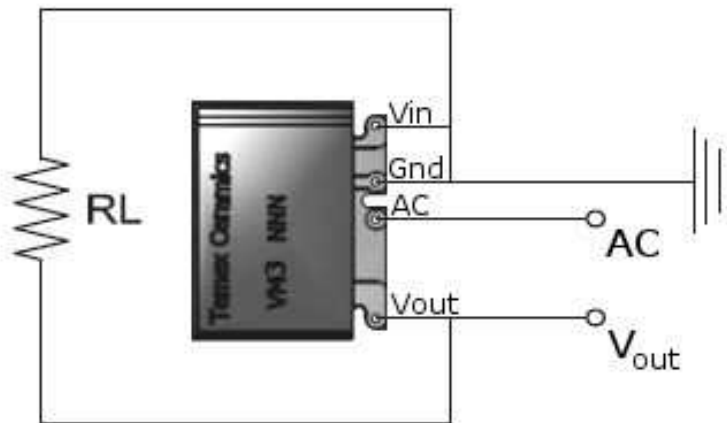
The component must be coated on the board to prevent electrical arcs

Part Number	152 VM3
Maximum A.C. Input Voltage	500 Vpp
Maximum D.C. Output Voltage	-1500 Vdc
Typical Output Current Range	0 to 100 μA
Typical Frequency	10 to 100 KHz
Number of Stages	6
Operating and storage Temperatures	-55°C to +125°C
Pin finish	ENIG Gold
Peak wave solder temperature	260°C 2mn
Peak reflow temperature	260°C
Floor Life	MSL/JDEC 2

- **Electrical equivalent circuit**



- **Typical multiplier circuit**



2 Multipliers can be mounted in Series for a DC output up to -3000V.

Output Voltage Vs. Input Voltage

